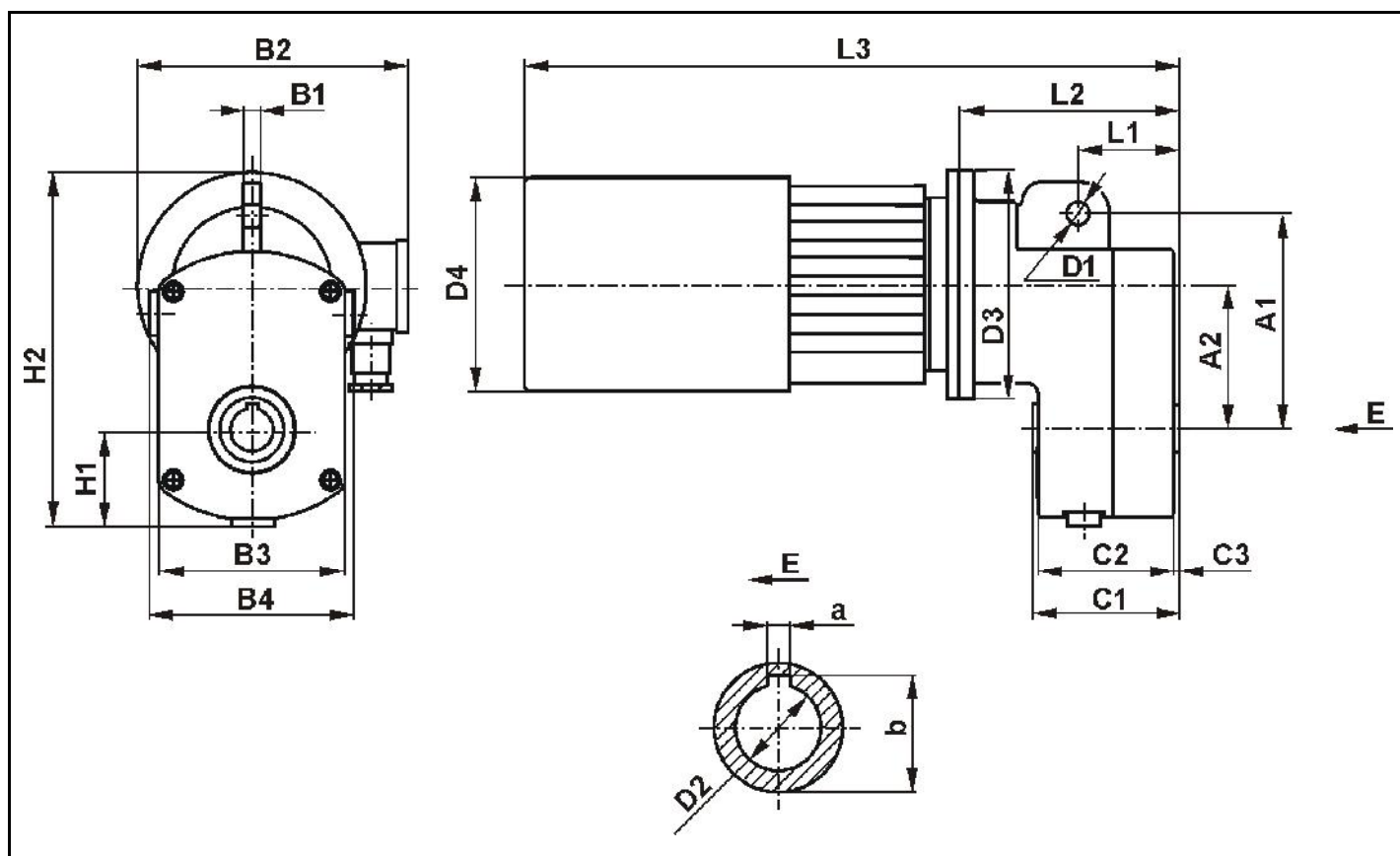


Motory s převodovkou



TP1160

Tabulka č.1.

Typ	Převodový poměr	Výstupní otáčky rpm	Kroutící moment	Výkon	Koeficient provozu	Rozměry, mm																			
	-	min ⁻¹	N.m	kW	K _τ	A1	A2	B1	B2	B3	B4	C1	C2	C3	D1	D2	D3	D4	L1	L2	L3	H1	H2	a	b
TP116079T71B-4R BRII-4	79.08	17.07	178.65	0.37	0.92	150	100	12	192	130	139	97	94	1.5	30	16	160	140	68	150	400	63	235	8	33.3
TP116070T71B-4R BRII-4	69.89	19.32	157.89		1.04																				
TP116064T71B-4R BRII-4	63.72	21.19	143.95		1.14																				
TP116058T71B-4R BRII-4	57.88	23.32	130.7		1.75																				
TP116056T71B-4R BRII-4	56.31	23.97	127.21		1.29																				
TP116049T71B-4R BRII-4	49.12	27.48	110.9		1.48																				
TP116048T71B-4R BRII-4	48.69	27.73	110.0		1.49																				
TP116047T71B-4R BRII-4	46.63	28.95	105.34		1.56																				
TP116045T71B-4R BRII-4	44.87	30.09	101.37		1.62																				
TP116043T71B-4R BRII-4	43.41	31.1	98.07		1.67																				
TP116039T71B-4R BRII-4	39.23	34.41	88.63		1.85																				
TP116036T71B-4R BRII-4	35.95	38.32	81.22		2.02																				
TP116035T71B-4R BRII-4	35.57	37.95	80.36		2.07																				
TP116033T71B-4R BRII-4	33.04	40.86	74.64		2.2																				
TP116030T71B-4R BRII-4	30.25	44.63	68.34		2.4																				
TP116029T71B-4R BRII-4	28.66	47.1	64.75		2.53																				
TP116028T71B-4R BRII-4	27.87	48.44	62.96		2.61																				
TP116027T71B-4R BRII-4	26.62	50.71	60.14		2.73																				
TP116022T71B-4R BRII-4	22.09	61.11	49.91		3.29																				
TP116021T71B-4R BRII-4	20.52	65.79	46.36		3.54																				
TP116020T71B-4R BRII-4	20.19	66.86	45.61	3.6																					
TP116016T71B-4R BRII-4	16.26	83.03	36.73	4.47																					
TP116013T71B-4R BRII-4	12.54	107.65	28.33	5.8																					
TP116079T80B-12/4R BRII-4	79.08	4.80/17.20	202.8/174.7	0.12/0.37	0.92	150	100	12	204	130	139	97	94	1.5	30	16	160	154	68	150	415	63	235	8	33.3
TP116070T80B-12/4R BRII-4	69.89	5.44/19.46	179.2/154.4		1.04																				
TP116064T80B-12/4R BRII-4	63.72	5.96/21.34	163.4/140.8		1.14																				
TP116058T80B-12/4R BRII-4	57.88	6.56/23.50	148.4/127.9		1.75																				
TP116056T80B-12/4R BRII-4	56.31	6.75/24.15	144.4/124.4		1.29																				
TP116049T80B-12/4R BRII-4	49.12	7.74/27.69	125.9/108.5		1.48																				
TP116048T80B-12/4R BRII-4	48.69	7.80/27.93	124.8/107.6		1.49																				
TP116047T80B-12/4R BRII-4	46.63	8.15/29.16	119.6/103.1		1.56																				
TP116045T80B-12/4R BRII-4	44.87	8.47/30.30	115.1/99.1		1.62																				
TP116043T80B-12/4R BRII-4	43.41	8.75/31.33	111.3/95.9		1.67																				
TP116039T80B-12/4R BRII-4	39.23	9.67/34.67	100.6/86.7		1.85																				
TP116036T80B-12/4R BRII-4	35.95	10.57/37.83	92.2/79.4		2.02																				
TP116035T80B-12/4R BRII-4	35.57	10.68/38.23	91.2/78.6		2.07																				
TP116033T80B-12/4R BRII-4	33.04	11.50/41.16	84.7/72.9		2.2																				
TP116030T80B-12/4R BRII-4	30.25	12.56/44.96	77.6/66.8		2.4																				
TP116029T80B-12/4R BRII-4	28.66	13.26/47.45	73.5/63.3		2.53																				
TP116028T80B-12/4R BRII-4	27.87	13.63/48.80	71.5/61.6		2.61																				
TP116027T80B-12/4R BRII-4	26.62	14.27/51.09	68.3/58.8		2.73																				
TP116022T80B-12/4R BRII-4	22.09	17.20/61.57	56.6/48.8		3.29																				
TP116021T80B-12/4R BRII-4	20.52	18.52/66.28	52.6/45.3		3.54																				
TP116020T80B-12/4R BRII-4	20.19	18.82/67.36	51.8/44.6	3.6																					
TP116016T80B-12/4R BRII-4	16.26	23.37/83.64	41.9/35.9	4.47																					
TP116013T80B-12/4R BRII-4	12.54	30.30/108.4	32.1/27.7	5.8																					

Tabulka č.1 -pokračování

Typ	Převodový poměr	Výstupní otáčky rpm	Kroutící moment	Výkon	Koeficient provozu	Rozměry, mm																			
	-	min ⁻¹	N.m	kW	K _τ	A1	A2	B1	B2	B3	B4	C1	C2	C3	D1	D2	D3	D4	L1	L2	L3	H1	H2	a	b
TP116043T80A-4R BRII-4	43.41	31.1	141.52	0.55	1.12	150	100	12	224	130	139	97	94	1.5	30	16	200	157	68	170	445	63	235	8	33.3
TP116039T80A-4R BRII-4	39.23	34.41	127.9		1.25																				
TP116036T80A-4R BRII-4	35.95	37.55	117.2		1.36																				
TP116035T80A-4R BRII-4	35.57	37.95	115.96		1.37																				
TP116033T80A-4R BRII-4	33.04	40.86	107.71		1.48																				
TP116030T80A-4R BRII-4	30.25	44.63	98.62		1.62																				
TP116029T80A-4R BRII-4	28.66	47.1	93.43		1.7																				
TP116028T80A-4R BRII-4	27.87	48.44	90.86		1.75																				
TP116027T80A-4R BRII-4	26.62	50.71	86.79		1.83																				
TP116022T80A-4R BRII-4	22.09	61.11	72.01		2.21																				
TP116021T80A-4R BRII-4	20.52	65.79	66.89		2.38																				
TP116020T80A-4R BRII-4	20.19	66.86	65.82		2.42																				
TP116016T80A-4R BRII-4	16.26	83.03	53.01		3.01																				
TP116013T80A-4R BRII-4	12.54	107.65	40.88		3.9																				
TP116043T90S-12/4R BRII-10	43.41	8.98/32.02	162.7/139.5		0.18/0.55																				
TP116039T90S-12/4R BRII-10	39.23	9.94/35.43	147/126.1	1.25																					
TP116036T90S-12/4R BRII-10	35.95	10.85/38.66	134.7/115.5	1.36																					
TP116035T90S-12/4R BRII-10	35.57	10.96/39.08	133.3/114.3	1.37																					
TP116033T90S-12/4R BRII-10	33.04	10.80/42.07	123.8/106.2	1.48																					
TP116030T90S-12/4R BRII-10	30.25	12.89/45.95	113.4/97.2	1.62																					
TP116029T90S-12/4R BRII-10	28.66	13.61/48.50	107.4/92.1	1.7																					
TP116028T90S-12/4R BRII-10	27.87	13.99/49.87	104.5/89.55	1.75																					
TP116027T90S-12/4R BRII-10	26.62	14.65/52.22	99.8/85.5	1.83																					
TP116022T90S-12/4R BRII-10	22.09	17.65/62.92	82.8/70.9	2.21																					
TP116021T90S-12/4R BRII-10	20.52	19.00/67.74	76.9/65.9	2.38																					
TP116020T90S-12/4R BRII-4	20.19	19.32/68.85	75.7/64.9	2.42																					
TP116016T90S-12/4R BRII-10	16.26	23.98/85.48	60.9/52.2	3.01																					
TP116013T90S-12/4R BRII-10	12.54	31.10/110.84	47.0/40.3	3.9																					
TP116027T80B-4R BRII-4	26.62	50.71	118.3	0.75		150	100	12	224	130	139	97	94	1.5	30	16	200	157	68	170	445	63	235	8	33.3
TP116022T80B-4R BRII-4	22.09	71.59	98.2		1.61																				
TP116021T80B-4R BRII-4	20.52	77.07	91.23		1.73																				
TP116020T80B-4R BRII-4	20.19	78.33	89.76		1.76																				
TP116016T80B-4R BRII-4	16.26	97.26	72.29		2.19																				
TP116013T80B-4R BRII-4	12.54	126.11	55.75		2.84																				
TP116027T90L-12/4R BRII-10	26.62	14.27/52.22	142.2/116.6	0.25/0.75	150	100	12	232	130	139	97	94	1.5	30	16	200	174	68	170	490	63	235	8	33.3	
TP116022T90L-12/4R BRII-10	22.09	17.20/62.92	118/96.8																						1.61
TP116021T90L-12/4R BRII-10	20.52	18.52/67.74	109.6/89.9																						1.73
TP116020T90L-12/4R BRII-10	20.19	18.82/68.84	107.9/88.5																						1.76
TP116016T90L-12/4R BRII-10	16.26	23.37/85.48	86.9/71.25																						2.19
TP116013T90L-12/4R BRII-10	12.54	30.30/110.84	66.99/54.95																						2.84

TP1200

Tabulka č. 2.

Typ	Převodový poměr	Výstupní otáčky rpm	Kroučící moment	Výkon	Koeficient provozu	Rozměry, mm																																								
						A1	A2	B1	B2	B3	B4	C1	C2	C3	D1	D2	D3	D4	L1	L2	L3	H1	H2	a	b																					
TP120084T80A-4R BR11-4	84.40	16	275.2	0.55	1.04	178	125	14	224	150	160	106	102	2	35	16	200	157	74	184	460	72	280	10	38.3																					
TP120070T80A-4R BR11-4	69.56	19.41	226.8		1.14																																									
TP120069T80A-4R BR11-4	69.51	19.42	226.6		1.75																																									
TP120057T80A-4R BR11-4	57.29	23.56	186.8		1.28																																									
TP120054T80A-4R BR11-4	53.74	25.12	175.2		1.37																																									
TP120050T80A-4R BR11-4	49.65	27.19	161.9		1.48																																									
TP120044T80A-4R BR11-4	44.29	30.48	144.4		1.66																																									
TP120043T80A-4R BR11-4	42.70	31.62	139.2		1.72																																									
TP120041T80A-4R BR11-4	40.92	32.99	133.4		1.8																																									
TP120040T80A-4R BR11-4	39.72	33.99	129.5		1.85																																									
TP120035T80A-4R BR11-4	35.19	38.36	114.7		2.09																																									
TP120033T80A-4R BR11-4	32.73	41.25	106.7		2.25																																									
TP120032T80A-4R BR11-4	32.27	41.83	105.2		2.28																																									
TP120027T80A-4R BR11-4	26.60	50.75	86.7		2.77																																									
TP120025T80A-4R BR11-4	24.82	54.39	80.9		2.98																																									
TP120022T80A-4R BR11-4	21.84	61.81	71.2		3.38																																									
TP120020T80A-4R BR11-4	20.46	65.98	66.7		3.6																																									
TP120018T80A-4R BR11-4	18.00	75	58.7		4.1																																									
TP120084T90S-12/4R BR11-10	84.40	4.62/16.47	316.3/271.2		0.18/0.55																					1.04	178	125	14	232	150	160	106	102	2	35	16	200	174	74	184	465	72	280	10	38.3
TP120070T90S-12/4R BR11-10	69.56	5.61/19.98	260.7/223.5																							1.14																				
TP120069T90S-12/4R BR11-10	69.51	5.61/19.99	260.5/223.3	1.75																																										
TP120057T90S-12/4R BR11-10	57.29	6.81/24.26	214.7/184.1	1.28																																										
TP120054T90S-12/4R BR11-10	53.74	7.26/25.86	201.4/172.7	1.37																																										
TP120050T90S-12/4R BR11-10	49.65	7.85/27.99	186.1/159.5	1.48																																										
TP120044T90S-12/4R BR11-10	44.29	8.80/31.38	166/142.3	1.66																																										
TP120043T90S-12/4R BR11-10	42.70	9.13/32.55	160.1/137.2	1.72																																										
TP120041T90S-12/4R BR11-10	40.92	9.53/33.98	153.4/131.5	1.8																																										
TP120040T90S-12/4R BR11-10	39.72	9.82/33.99	148.9/127.6	1.85																																										
TP120035T90S-12/4R BR11-10	35.19	11.08/38.36	131.9/113.1	2.09																																										
TP120033T90S-12/4R BR11-10	32.73	11.92/41.25	122.7/105.1	2.25																																										
TP120032T90S-12/4R BR11-10	32.27	12.09/41.83	121/103.7	2.28																																										
TP120027T90S-12/4R BR11-10	26.60	14.66/50.75	99.7/85.5	2.77																																										
TP120025T90S-12/4R BR11-10	24.82	15.71/54.39	93/79.75	2.98																																										
TP120022T90S-12/4R BR11-10	21.84	17.86/61.81	81.9/70.2	3.38																																										
TP120020T90S-12/4R BR11-10	20.46	19.06/65.98	76.7/65.7	3.6																																										
TP120018T90S-12/4R BR11-10	18.00	21.76/75	67.5/57.8	4.1																																										

Tabulka č. 2 - pokračování.

Typ	Převodový poměr	Výstupní otáčky rpm	Krutící moment	Výkon	Koeficient provozu	Rozměry, mm																			
						A1	A2	B1	B2	B3	B4	C1	C2	C3	D1	D2	D3	D4	L1	L2	L3	H1	H2	a	b
TP120057T80B-4R BRII-4	57.29	23.56	254.7	0.75	1.28	178	125	14	224	150	160	106	102	2	35	16	200	157	74	184	460	72	280	10	38.3
TP120054T80B-4R BRII-4	53.74	25.12	238.9		1.37																				
TP120050T80B-4R BRII-4	49.65	27.19	220.7		1.48																				
TP120044T80B-4R BRII-4	44.29	30.48	196.9		1.66																				
TP120043T80B-4R BRII-4	42.70	31.62	189.8		1.72																				
TP120041T80B-4R BRII-4	40.92	32.99	181.9		1.8																				
TP120040T80B-4R BRII-4	39.72	33.99	176.6		1.85																				
TP120035T80B-4R BRII-4	35.19	38.36	156.4		2.09																				
TP120033T80B-4R BRII-4	32.73	41.25	145.5		2.25																				
TP120032T80B-4R BRII-4	32.27	41.83	143.5		2.28																				
TP120027T80B-4R BRII-4	26.60	50.75	118.2		2.77																				
TP120025T80B-4R BRII-4	24.82	54.39	110.3		2.98																				
TP120022T80B-4R BRII-4	21.84	61.81	97.1		3.38																				
TP120020T80B-4R BRII-4	20.46	65.98	90.96		3.6																				
TP120018T80B-4R BRII-4	18.00	75	80.1		4.1																				
TP120057T90L-12/4R BRII-10	57.29	6.63/24.26	306.1/251		0.25/0.75																				
TP120054T90L-12/4R BRII-10	53.74	7.07/25.86	287.1/235.5	1.37																					
TP120050T90L-12/4R BRII-10	49.65	7.65/28	265.3/217.6	1.48																					
TP120044T90L-12/4R BRII-10	44.29	8.58/31.38	236.6/194.1	1.66																					
TP120043T90L-12/4R BRII-10	42.70	8.90/32.55	228.1/187.1	1.72																					
TP120041T90L-12/4R BRII-10	40.92	9.28/33.98	218.6/179.3	1.8																					
TP120040T90L-12/4R BRII-10	39.72	9.57/35	212.2/174	1.85																					
TP120035T90L-12/4R BRII-10	35.19	10.80/39.50	188/154.2	2.09																					
TP120033T90L-12/4R BRII-10	32.73	11.61/42.47	174.8/143.4	2.25																					
TP120032T90L-12/4R BRII-10	32.27	11.78/43.07	172.4/141.4	2.28																					
TP120027T90L-12/4R BRII-10	26.60	14.28/52.26	142.1/116.6	2.77																					
TP120025T90L-12/4R BRII-10	24.82	15.31/56	132.6/108.8	2.98																					
TP120022T90L-12/4R BRII-10	21.84	17.40/63.64	116.7/95.7	3.38																					
TP120020T90L-12/4R BRII-10	20.46	18.57/67.94	109.3/89.65	3.6																					
TP120018T90L-12/4R BRII-10	18.00	21.11/77.22	96.2/78.9	3.83																					
TP120035T90S-4R BRII-4	35.19	39.22	227.8	1.1		2.09	178	125	14	232	150	160	106	102	2	35	16	200	174	74	184	460	72	280	10
TP120033T90S-4R BRII-4	32.73	42.16	211.9		2.25																				
TP120032T90S-4R BRII-4	32.27	42.76	208.9		2.28																				
TP120027T90S-4R BRII-4	26.60	51.88	172.2		2.77																				
TP120025T90S-4R BRII-4	24.82	55.6	160.7		2.98																				
TP120022T90S-4R BRII-4	21.84	63.19	141.4		3.38																				
TP120020T90S-4R BRII-4	20.46	67.45	132.4		3.6																				
TP120018T90S-4R BRII-4	18.00	76.67	116.5		4.1																				
TP120035T100LA-12/4R BRII-15	35.19	10.80/39.22	279.2/227.8	0.37/1.3	1.95	178	125	14	240	150	160	106	102	2	35	16	200	192	74	184	525	72	280	10	38.3
TP120033T100LA-12/4R BRII-15	32.73	11.61/42.16	258.8/211.9		1.56																				
TP120032T100LA-12/4R BRII-15	32.27	11.78/42.76	255.2/208.9		1.58																				
TP120027T100LA-12/4R BRII-15	26.60	14.29/51.88	210.3/172.2		1.92																				
TP120025T100LA-12/4R BRII-15	24.82	15.31/55.60	196.3/160.7		2.05																				
TP120022T100LA-12/4R BRII-15	21.84	17.40/63.19	172.7/141.4		2.33																				
TP120020T100LA-12/4R BRII-15	20.46	18.57/67.45	161.8/132.4		2.49																				
TP120018T100LA-12/4R BRII-15	18.00	21.11/76.67	142.3/116.5		2.83																				

TP1250

Tabulka č. 3.

Typ	Převodový poměr	Výstupní otáčky rpm	Kroutící moment	Výkon	Koeficient provozu	Rozměry, mm																																								
	-	min ⁻¹	N.m	kW	K _T	A1	A2	B1	B2	B3	B4	C1	C2	C3	D1	D2	D3	D4	L1	L2	L3	H1	H2	a	b																					
TP125088T80B-4R BRII-4	87.52	15.42	389.1	0.75	1.56	207	145	14	224	180	190	118	114	2	40	18	200	157	78	198	475	88	324	12	43.3																					
TP125072T80B-4R BRII-4	72.29	18.67	321.4		1.89																																									
TP125066T80B-4R BRII-4	65.82	20.51	292.6		2.08																																									
TP125061T80B-4R BRII-4	60.39	22.35	268.5		2.26																																									
TP125054T80B-4R BRII-4	54.36	24.83	241.7		2.51																																									
TP125052T80B-4R BRII-4	51.35	26.28	228.3		2.66																																									
TP125048T80B-4R BRII-4	47.54	28.4	211.4		2.88																																									
TP125046T80B-4R BRII-4	45.77	29.5	203.5		2.99																																									
TP125039T80B-4R BRII-4	38.67	34.91	171.9		3.73																																									
TP125036T80B-4R BRII-4	35.68	37.84	158.6		3.83																																									
TP125027T80B-4R BRII-4	26.32	51.29	117.0		5.2																																									
TP125020T80B-4R BRII-4	19.6	68.88	87.1		6.98																																									
TP125015T80B-4R BRII-4	14.86	90.85	66.1		9.2																																									
TP125088T90L-12/4R BRII-10	87.52	4.34/15.88	467.6/383.5		0.25/0.75																					1.56	207	145	14	232	180	190	118	114	2	40	18	200	174	78	198	520	88	324	12	43.3
TP125072T90L-12/4R BRII-10	72.29	5.26/19.29	386.2/316.8	1.89																																										
TP125066T90L-12/4R BRII-10	65.82	5.77/21.12	351.7/288.4	2.08																																										
TP125060T90L-12/4R BRII-10	60.39	6.29/23.02	322.6/264.6	2.26																																										
TP125054T90L-12/4R BRII-10	54.36	6.99/25.57	290.4/238.2	2.51																																										
TP125052T90L-12/4R BRII-10	51.35	7.40/27.07	274.3/225.0	2.66																																										
TP125048T90L-12/4R BRII-10	47.54	7.99/29.24	254/208.3	2.88																																										
TP125046T90L-12/4R BRII-10	45.77	8.30/30.37	244.5/200.6	2.99																																										
TP125039T90L-12/4R BRII-10	38.67	9.83/35.94	206.6/169.4	3.73																																										
TP125036T90L-12/4R BRII-10	35.68	10.65/38.96	190.6/156.3	3.83																																										
TP125026T90L-12/4R BRII-10	26.32	14.44/52.81	140.6/115.3	5.2																																										
TP125020T90L-12/4R BRII-10	19.6	19.38/70.92	104.7/85.9	6.98																																										
TP125015T90L-12/4R BRII-10	14.86	25.57/93.54	79.4/65.1	9.2																																										
TP125072T90S-4R BRII-4	72.29	19.09	468	1.1		1.3	207	145	14	232	180	190	118	114	2	40	18	200	174	78	198	480	88	324	12	43.3																				
TP125066T90S-4R BRII-4	65.82	20.96	426.1		1.43																																									
TP125061T90S-4R BRII-4	60.39	22.85	390.9		1.56																																									
TP125054T90S-4R BRII-4	54.36	25.38	251.9		1.74																																									
TP125052T90S-4R BRII-4	51.35	26.87	332.4		1.84																																									
TP125048T90S-4R BRII-4	47.54	29.03	307.7		1.99																																									
TP125046T90S-4R BRII-4	45.77	30.14	296.3		2.06																																									
TP125039T90S-4R BRII-4	38.67	35.69	250.3		2.44																																									
TP125036T90S-4R BRII-4	35.68	38.68	230.9		2.65																																									
TP125027T90S-4R BRII-4	26.32	52.43	170.4		3.59																																									
TP125020T90S-4R BRII-4	19.6	70.41	126.9		4.83																																									
TP125015T90S-4R BRII-4	14.86	92.87	96.2		6.37																																									
TP125072T100LA-12/4R BRII-15	72.29	5.26/19.09	157.7/468		0.37/1.3	1.3																					207	145	14	240	180	190	118	114	2	40	18	200	192	78	198	560	88	324	12	43.3
TP125066T100LA-12/4R BRII-15	65.82	5.77/20.97	520.4/426.1			1.43																																								
TP125061T100LA-12/4R BRII-15	60.39	6.29/22.85	477.5/390.9	1.56																																										
TP125054T100LA-12/4R BRII-15	54.36	6.99/25.38	429.9/351.9	1.74																																										
TP125052T100LA-12/4R BRII-15	51.35	7.40/26.87	406.0/332.4	1.84																																										
TP125048T100LA-12/4R BRII-15	47.54	7.99/29.03	357.9/307.7	1.99																																										
TP125046T100LA-12/4R BRII-15	45.77	8.30/30.14	362.0/296.3	2.06																																										
TP125039T100LA-12/4R BRII-15	38.67	9.83/35.69	305.8/250.3	2.44																																										
TP125036T100LA-12/4R BRII-15	35.68	10.65/38.68	282.1/230.9	2.65																																										
TP125026T100LA-12/4R BRII-15	26.32	14.44/52.43	208.1/170.4	3.59																																										
TP125020T100LA-12/4R BRII-15	19.6	19.39/70.41	155/126.9	4.83																																										
TP125015T100LA-12/4R BRII-15	14.86	15.57/92.87	117.5/96.2	6.37																																										

Tabulka č. 3 - pokračování

Typ	Převodový poměr	Výstupní otáčky rpm	Krouticí moment	Výkon	Koeficient provozu	Rozměry, mm																			
	-	min ⁻¹	N.m	kW	K _τ	A1	A2	B1	B2	B3	B4	C1	C2	C3	D1	D2	D3	D4	L1	L2	L3	H1	H2	a	b
TP125054T90L-4R BR11-10	54.36	25.2	483.4	1.5	1.27	207	145	14	232	180	190	118	114	2	40	18	200	174	78	198	520	88	324	12	43.3
TP125052T90L-4R BR11-10	51.35	26.68	456.6		1.35																				
TP125048T90L-4R BR11-10	47.54	28.82	422.7		1.46																				
TP125046T90L-4R BR11-10	45.77	29.93	407.1		1.51																				
TP125039T90L-4R BR11-10	38.67	35.43	343.8		1.79																				
TP125036T90L-4R BR11-10	35.68	38.4	317.2		1.94																				
TP125027T90L-4R BR11-10	26.32	52.05	234		2.63																				
TP125020T90L-4R BR11-10	19.6	69.9	174.3		3.5																				
TP125015T90L-4R BR11-10	14.86	92.19	132.1		4.6																				
TP125054T90LB-12/4R BR11-15	54.36	6.99/25.38	639.1/479.9		0.55/1.5																				
TP125052T90LB-12/4R BR11-15	51.35	7.40/26.87	603.6/453.3	1.35																					
TP125048T90LB-12/4R BR11-15	47.54	7.99/29.03	558.8/419.6	1.46																					
TP125046T90LB-12/4R BR11-15	45.77	8.3/30.14	538.1/404.1	1.51																					
TP125039T90LB-12/4R BR11-15	38.67	9.83/35.69	454.5/341.3	1.79																					
TP125036T90LB-12/4R BR11-15	35.68	10.65/38.68	419.4/314.9	1.94																					
TP125027T90LB-12/4R BR11-15	26.32	14.44/52.43	309.4/232.3	2.63																					
TP125020T90LB-12/4R BR11-15	19.6	19.39/70.14	230.4/173	3.5																					
TP125015T90LB-12/4R BR11-15	14.86	25.57/92.87	174.7/131.2	4.6																					

TP1315

Tabulka č. 4.

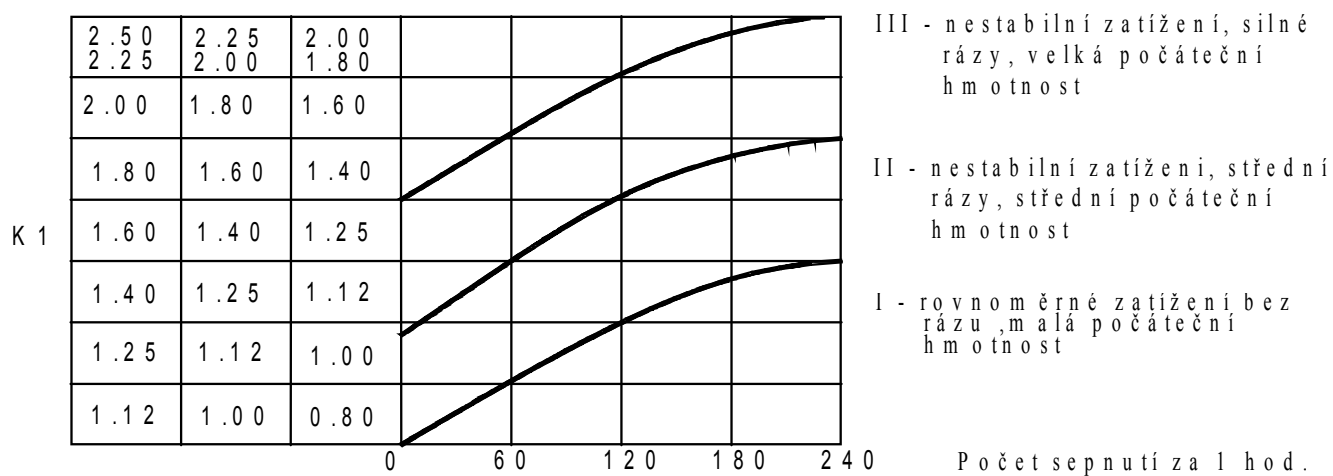
Typ	Převodový poměr	Výstupní otáčky rpm	Kroučící moment	Výkon	Koeficient provozu	Rozměry, mm																			
						A1	A2	B1	B2	B3	B4	C1	C2	C3	D1	D2	D3	D4	L1	L2	L3	H1	H2	a	b
TP131586T90L-4R BR11-10	86.03	15.92	764.9	1.5	1.04	244	174	16	232	210	230	144	138	3	50	22	200	174	99	219	540	112	390	14	53.8
TP131578T90L-4R BR11-10	77.97	17.57	693.3		1.11																				
TP131570T90L-4R BR11-10	70.56	19.42	627.4		1.23																				
TP131560T90L-4R BR11-10	59.83	22.9	532.0		1.45																				
TP131559T90L-4R BR11-10	58.88	23.27	523.5		1.47																				
TP131554T90L-4R BR11-10	54.14	25.3	481.4		1.6																				
TP131551T90L-4R BR11-10	51.10	26.81	454.4		1.7																				
TP131546T90L-4R BR11-10	46.24	29.63	411.1		1.88																				
TP131541T90L-4R BH11-10	41.56	32.96	369.5		2.09																				
TP131535T90L-4R BH11-10	35.15	38.98	312.5		2.47																				
TP131530T90L-4R BH11-10	30.19	45.38	268.4		2.88																				
TP131527T90L-4R BH11-10	26.59	51.52	236.4		3.26																				
TP131520T90L-4R BH11-10	19.81	69.16	176.1		4.38																				
TP131586T100LB-12/4R BR11-15	86.03	4.42/16.04	1011.2/759.4	0.55/1.5	1.04	244	174	16	240	210	230	144	138	3	50	22	200	192	99	219	570	112	390	14	53.8
TP131578T100LB-12/4R BR11-15	77.97	4.87/17.70	916.4/688.2		1.11																				
TP131570T100LB-12/4R BR11-15	70.56	5.38/19.56	829.4/622.8		1.23																				
TP131560T100LB-12/4R BR11-15	59.83	6.35/23.06	703.2/528.1		1.45																				
TP131559T100LB-12/4R BR11-15	58.88	6.45/23.44	692.1/519.7		1.47																				
TP131554T100LB-12/4R BR11-15	54.14	7.02/25.49	636.4/477.8		1.6																				
TP131551T100LB-12/4R BR11-15	51.10	7.43/27.01	600.6/451		1.7																				
TP131546T100LB-12/4R BR11-15	46.24	8.22/29.84	543.5/408.2		1.88																				
TP131541T100LB-12/4R BR11-15	41.56	9.14/33.05	488.5/366.8		2.09																				
TP131535T100LB-12/4R BR11-15	35.15	10.81/39.26	413.2/310.3		2.4																				
TP131553T100LB-12/4R BR11-15	30.19	12.59/45.71	354.8/266.5		2.8																				
TP131527T100LB-12/4R BR11-15	26.59	14.29/51.90	312.5/234.7		3.2																				
TP131520T100LB-12/4R BR11-15	19.81	19.81/69.66	232.8/174.9		4.3																				
TP131578T100LA-4R BR11-15	77.97	17.7	1109.4	2.2	0.76	244	174	16	265	210	230	144	138	3	50	22	250	192	99	228	565	112	390	14	53.8
TP131570T100LA-4R BR11-15	70.56	19.56	913.5		0.84																				
TP131560T100LA-4R BR11-15	59.83	23.06	774.6		1.00																				
TP131559T100LA-4R BR11-15	58.88	23.44	762.3		1.01																				
TP131554T100LA-4R BR11-15	54.14	25.49	700.9		1.16																				
TP131551T100LA-4R BR11-15	51.10	27.01	661.6		1.17																				
TP131546T100LA-4R BR11-15	46.24	29.84	598.6		1.29																				
TP131541T100LA-4R BR11-15	41.56	33.2	538.1		1.44																				
TP131535T100LA-4R BR11-15	35.15	39.26	455.1		1.69																				
TP131530T100LA-4R BR11-15	30.19	45.71	390.8		1.97																				
TP131527T100LA-4R BR11-15	26.59	51.9	344.2		2.24																				
TP131520T100LA-4R BR11-15	19.81	69.66	256.5		3																				
TP131546T100LB-4R BR11-15	46.24	29.84	816.3		3																				
TP131541T100LB-4R BR11-15	41.56	33.2	733.7	1.05																					
TP131535T100LB-4R BR11-15	35.15	39.26	620.5	1.23																					
TP131530T100LB-4R BR11-15	30.19	45.71	532.9	1.44																					
TP131527T100LB-4R BR11-15	26.59	51.9	469.4	1.64																					
TP131520T100LB-4R BR11-15	19.81	69.66	349.7	2.2																					

El. motory s převodovkou z tabulky č.1 až č.4 jsou vybírány s ohledem na typ zatížení, dloužky provozu a počtem sepnutí podle grafů č.1 a č.2.

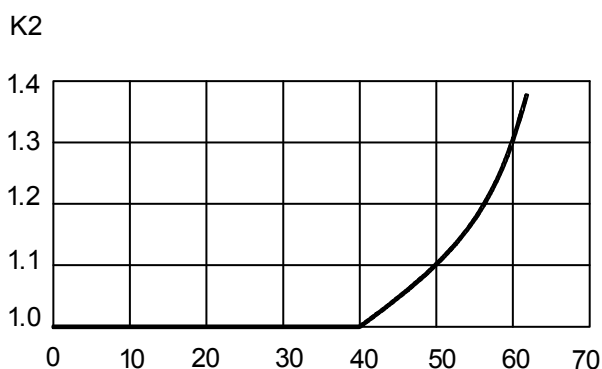
$$K_T = K_1 \cdot K_2, \text{ kde}$$

- K_T - koeficient provozu (tab.č.1 až tab.č.4);
- K₁ - koeficient typu a trvání provozu (graf č.1)
- K₂ - teplotní koeficient (graf č.2)

24 16 8 PRACOVNÍ DOBA ZA 1 DEN (hod.)



Graf č. 1



Graf č. 2